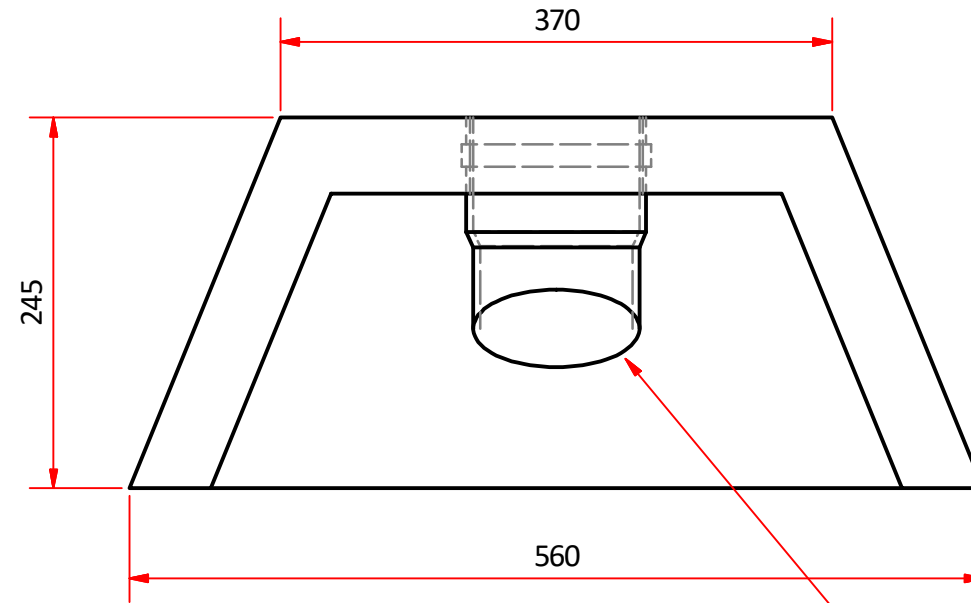
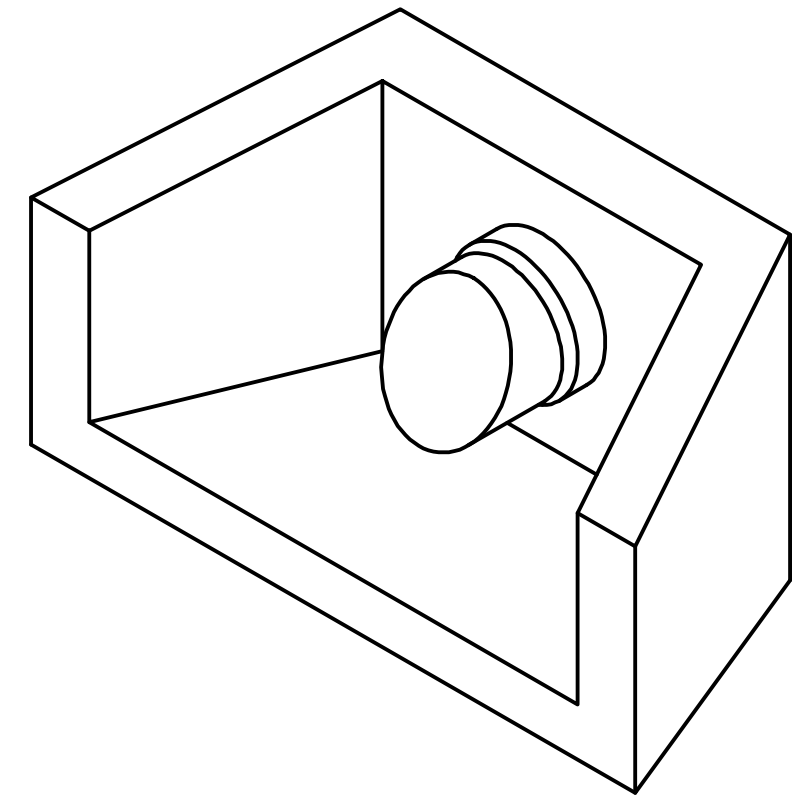


NOTES:
1. MADE WITH CONCRETE 40 MPa

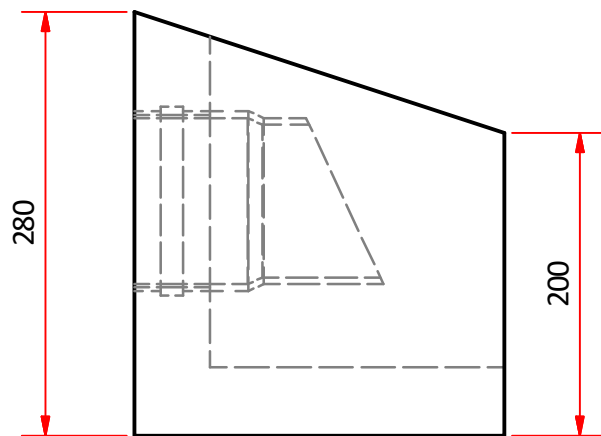


TOP VIEW (1:5)

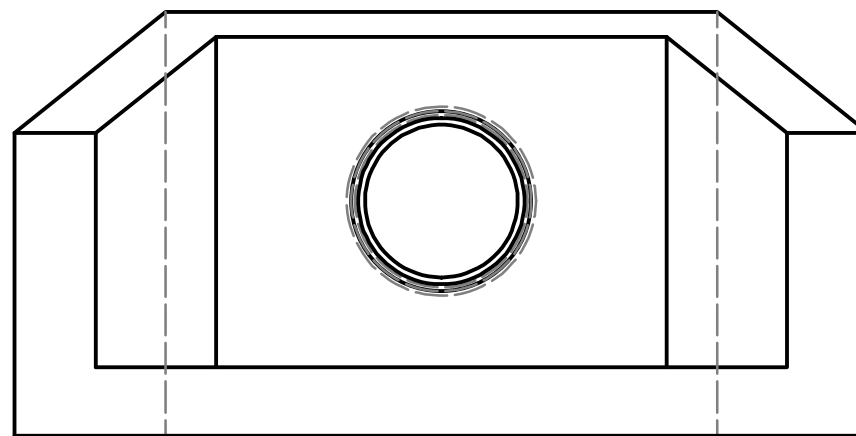


3D VIEW (1:5)

DW 100 mm SN10
WITH FROG FLAP



END VIEW (1:5)



FRONT VIEW (1:5)

General Notes;

1. All dimensions are in mm
2. Tolerance on all dimensions ± 3 mm unless stated otherwise

Copyright: TRI Underground Australia Pty Ltd

This instruction and all the information herein is the property of TRI Underground PTY LTD. It must not be copied, made public or used directly or indirectly, including manufacture of the product shown herein, without written approval. This instruction is loaned subject to these conditions and subject to return on demand.

Commercial in confidence



Material
CONCRETE

Weight
APPROX. 29 kg

Finish
OFF MOULD

Designed by
IMD

Checked by
HL

Approved by
HA

Date
23/03/2022

Date
22/01/2022

TRI Underground Australia

Title
CONCRETE SUB SOIL OUTLET

Dwg No.
14269

Edition
A

Sheet
1 / 1